

## Part ordering codes

Example:

For description composition see the text below

**DFE102/3** **A** **18** **ES** - **W** **2 0 2** - **12VDC** - ... - **CRZ**

**1** **2** **3** **4** **3** **4** **5** **6** Galvanized body

**Coil**  
 1 = without coil  
 2 = with coil

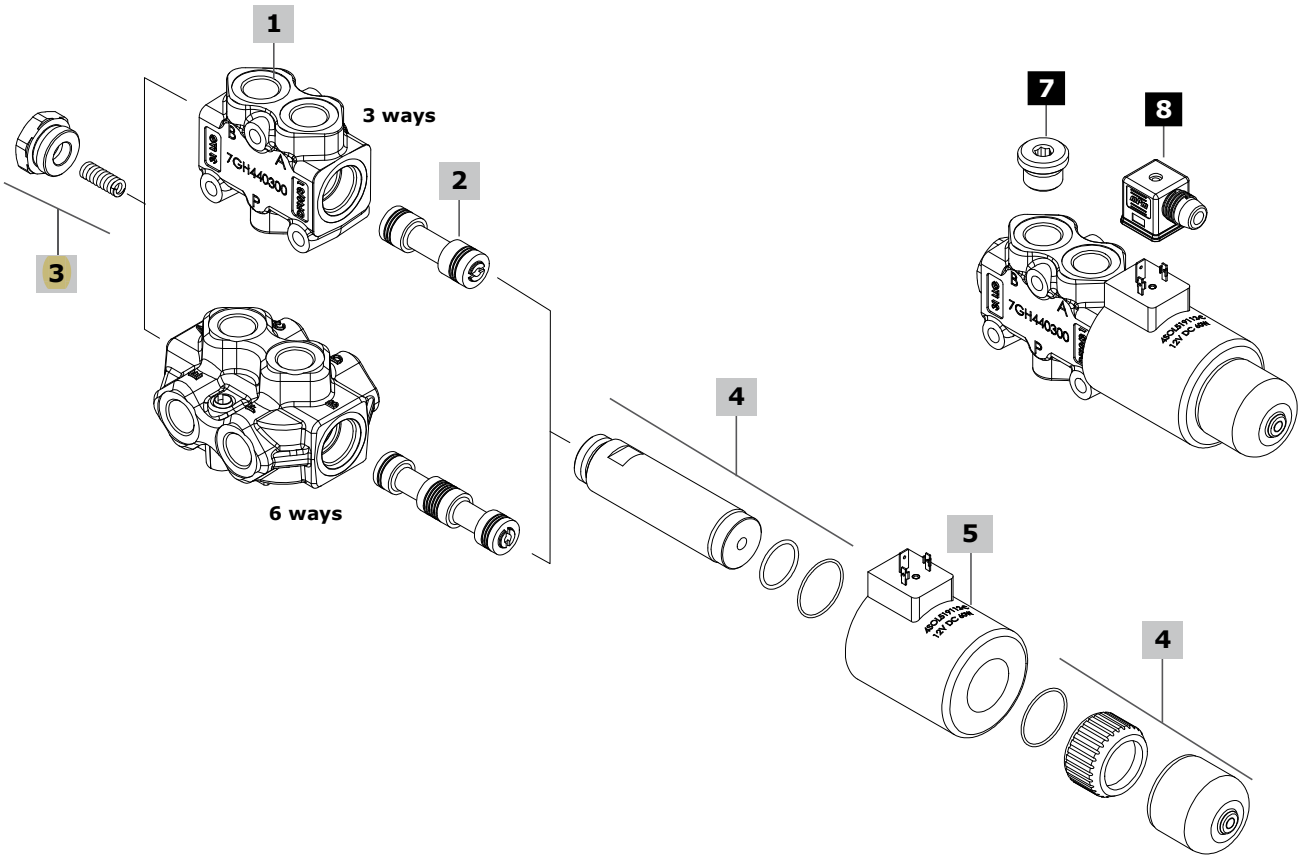
**Connection\***  
 0 = ISO (Std)  
 2 = AMP-JPT  
 3 = Deutsch DT06  
 4 = Deutsch DT04-2P Male  
 5 = Deutsch DT04-4P Female  
 6 = Metri-Pack Female  
 7 = Metri-Pack Male  
 8 = WeatherPack Male  
 9 = WeatherPack Female

**Lenght cables**  
 (only if it's present)  
 Lenght is in mm

**Coil voltage**  
 12VDC

**Bellow**  
 1 = without bellow  
 2 = with bellow

(\*) - For connector options see coils table on page 94



**1 Body kit\***

TYPE	CODE	DESCRIPTION
<b>DFE102/3</b>	3CO2241321Z	3 ways body kit
<b>DFE102/6</b>	3CO2242322Z	6 ways body kit

**2 Spools** page 92

TYPE	CODE	DESCRIPTION
<b>For DFE102/3:</b>		
<b>A</b>	3CAS110342	Flow in A in neutral. Ports connected in transit position
<b>B</b>	3CAS110442	Flow in A in neutral. Ports closed in transit position
<b>D</b>	3CAS110541	Closed ports in neutral and connected in transit position

**For DFE102/6:**

<b>A</b>	3CAS110642	Flow in E and F. C and D closed in pos. 1 Ports connected in transit position
<b>B</b>	3CAS110742	Flow in E and F. C and D closed in pos. 1 Ports closed in transit position
<b>H</b>	3CAS110843	D↔C in pos. 1, F↔E in pos. 2 Ports closed in transit position

**3 Positioner kit** page 93

TYPE	CODE	DESCRIPTION
<b>18...W</b>	5TAP011	Spring return in pos. 1
<b>18...Y</b>	5GIU017*	Spring return in pos. 1, with G1/4 drain port

**4 Solenoid kit** page 93

TYPE	CODE	DESCRIPTION
<b>ES</b>	5SOL519004-C	Tube assembly with protective bellow
<b>ES</b>	5SOL519004A-C	Tube assembly without protective bellow
-	4ACC519-C	Optional protective bellow for tube assembly

**5 Coil**

For list of available coils see pages 94

**6 Body threading**

Specify threading always when it is different from **BSP** standard

**7 Port plugs\***

It's possible to obtain 2 ways diverter valve plugging port of DFE102/3

CODE	DESCRIPTION
3XTAP727180	G1/2 plug

**8 Accessories**

For list of available connectors see pages 94

(\* ) - Codes are referred to **BSP** thread